

# INSIZE

# TOOLS THAT MEASURE UP

EXCLUSIVELY AVAILABLE FROM **KAR** IN CANADA 

**2023**  
**←BEST→**  
**SELLERS**

**TOP 50+**



**1 YEAR MANUFACTURER'S WARRANTY ON INSIZE TOOLS**

**NIST**  
CERTIFICATION

TOOLS WITH THIS MARK SUPPLIED WITH MANUFACTURER'S INSPECTION CERTIFICATE AND ARE TRACEABLE TO NIST (NATIONAL INSTITUTE OF STANDARDS & TECHNOLOGY)

**LEARN MORE**

VIDEO: <https://youtu.be/2j9BGVKbzS4>

### Portable LEEB Hardness Tester



- Based on Leeb (HLD), converted to Vickers (HV), Brinell (HB), Rockwell (HRC and HRB), Shore (HS) and tensile strength (MPa)
- Memory of 99 measurement values for browsing
- Set measurement times (1-9) to have average value
- Connects to printer via bluetooth (printer optional)
- Automatic power off
- ASTM A956 standards
- Supplied with manufacturer inspection certificate

**MORE SPECS & DETAILS at KAR.CA**

**Includes one of each:**  
Hardness tester  
Impact device D  
Hardness test block D  
Small supporting ring  
Cleaning brush

Code 816432  
**2108.78**

### Measuring Tool Sets



- **Set Includes:**
  - 1) Electronic caliper (817000) SPC, range 0-6"/0-150mm, resolution 0.0005"/0.01mm
  - 2) Electronic outside micrometer (289005 - without SPC), range 0-1"/0-25mm, resolution 0.00005"/0.001mm
- Supplied in fitted storage case



Code 816345

**273.02**



- **Set Includes:**
  - 1) Dial indicator (816158), range 0-1", graduation 0.001"
  - 2) Magnetic stand with magnetic force 132lbf/60kgf (816252)
- Supplied in fitted storage case

Code 284505

**141.78**

YOUR AUTHORIZED KAR DISTRIBUTOR:



9651-49 Avenue, Edmonton AB T6E 5Z5

Toll Free: 1-800-661-6496

Tel: 780-437-4220 | Fax: 780-438-5873

**WWW.UNITEDTOOLSUPPLY.COM**

## Electronic, Dial & Vernier Calipers

### Standard Model



OPTIONAL ACCESSORY: SPC cable

- Resolution: 0.0005"/0.01mm
- Buttons: on/off, zero, inch/mm
- Auto power off, move digital unit to turn power on
- Battery CR2032
- Data output
- Stainless steel construction
- Supplied in fitted storage case

0-6 Inch/0-150mm  
Accuracy:  $\pm 0.0010''$   
Code 817000

66.30

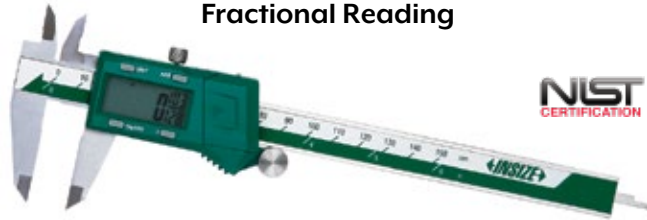
0-8 Inch/0-200mm  
Accuracy:  $\pm 0.0015''$   
Code 817001

91.43

0-12 Inch/0-300mm  
Accuracy:  $\pm 0.0015''$   
Code 817002

160.52

### Fractional Reading



- Resolution: 0.0005", 1/128" (fractional), 0.01mm
- Buttons: zero, unit (mm/inch/fraction), ABS (absolute and incremental), on/off
- Auto power off
- Battery CR2032
- Data output
- Stainless steel construction
- Supplied in fitted storage case

0-6 Inch/0-150mm  
Accuracy:  $\pm 0.0015''$   
Code 280003

115.72

0-8 Inch/0-200mm  
Accuracy:  $\pm 0.0015''$   
Code 280004

172.68

0-12 Inch/0-300mm  
Accuracy:  $\pm 0.0015''$   
Code 280005

250.78

### Dial Calipers



- Graduations: 0.001"
- One revolution equals: 0.1"
- Shock proof dial indicator
- Supplied in fitted storage case

0-6 Inch/0-150mm  
Accuracy:  $\pm 0.0015''$   
Code 816028

93.77

0-8 Inch/0-200mm  
Accuracy:  $\pm 0.0020''$   
Code 816030

124.18

0-12 Inch/0-300mm  
Accuracy:  $\pm 0.0020''$   
Code 816032

227.20

### Zinc Alloy Casing



- Resolution: 0.0005"/0.01mm
- Zinc alloy casing
- Buttons: zero, on/off, inch/mm
- Auto power off
- Battery CR2032
- Stainless steel construction
- Supplied in fitted storage case

0-6 Inch/0-150mm  
Accuracy:  $\pm 0.0015''$   
Code 816012

94.13

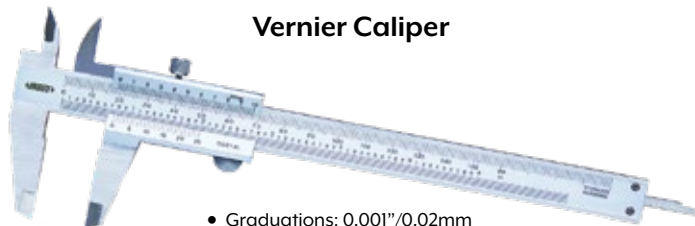
0-8 Inch/0-200mm  
Accuracy:  $\pm 0.0015''$   
Code 816014

126.73

0-12 Inch/0-300mm  
Accuracy:  $\pm 0.0015''$   
Code 816016

219.02

### Vernier Caliper

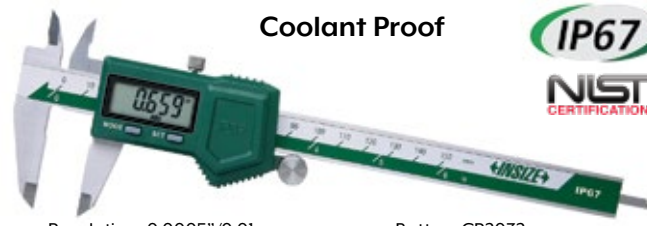


- Graduations: 0.001"/0.02mm
- Stainless steel with satin chrome plated reading surface
- Supplied in fitted storage case

0-6 Inch/0-150mm  
Accuracy:  $\pm 0.0012''$   
Code 876750

65.07

### Coolant Proof



- Resolution: 0.0005"/0.01mm
- Coolant proof, IP67 Ingress protection level
- Button functions: zero, on/off, inch/mm, ABS/REL, hold
- Battery CR2032
- Stainless steel
- Supplied in fitted storage case

0-6 Inch/0-150mm  
Accuracy:  $\pm 0.0015''$   
Code 816018

239.23

0-8 Inch/0-200mm  
Accuracy:  $\pm 0.0015''$   
Code 280014

412.42

0-12 Inch/0-300mm  
Accuracy:  $\pm 0.0015''$   
Code 280015

478.15

<<< Many More Sizes & Styles of INSIZE Calipers Available – Contact your local KAR Distributor >>>



# TOOLS THAT MEASURE UP

## Outside Micrometers

### With Counter



- Counter resolution: 0.001"
- Thimble graduation: 0.0001"
- Ratchet stop and carbide tips
- Micrometers over 1" are supplied with a setting standard
- Supplied in fitted storage case

0-1 Inch	1-2 Inch	2-3 Inch	3-4 Inch
Accuracy: $\pm 0.00015"$	Accuracy: $\pm 0.00015"$	Accuracy: $\pm 0.0002"$	Accuracy: $\pm 0.0002"$
Code 280933	Code 280934	Code 280935	Code 280936
117.65	190.97	148.90	178.72

### Electronic – 2 Button



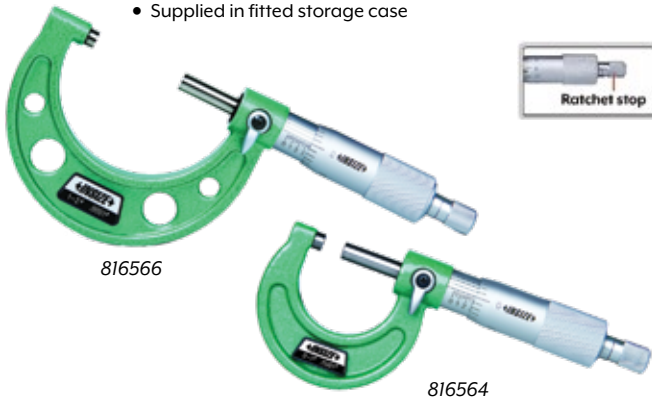
Spherical Anvil to measure tube thickness

- Resolution: 0.00005"/0.001mm
- Button functions: on/off, set, inch/mm, ABS/INC
- Auto power off
- Battery LR44
- Carbide tips and friction thimble
- Spherical anvil included allows tube thickness measurements
- Micrometers over 0-1"/0-25mm are supplied with a setting standard
- Supplied in fitted storage case

0-1 Inch/0-25 mm	1-2 Inch/25-50 mm	2-3 Inch/50-75 mm	3-4 Inch/75-100 mm
Accuracy: $\pm 0.0001"$	Accuracy: $\pm 0.00015"$	Accuracy: $\pm 0.00015"$	Accuracy: $\pm 0.00015"$
Code 816500	Code 816502	Code 816504	Code 816506
146.07	172.62	179.92	171.37

### Inch & Metric

- Graduation: 0.0001"/0.01mm
- Ratchet stop
- Carbide tips
- Micrometers over 1"/25mm are supplied with a setting standard
- Supplied in fitted storage case



816566

816564



Up to 6"/150mm micrometers sets supplied in plastic moulded storage case



0-12"/0-300mm and 6-12"/150-300mm micrometer sets supplied in an aluminum storage case

\* NIST Certification

Inch				Metric				Sets in Protective Fitted Storage Cases		
Range (Inch)	Accuracy (Inch)	Code	Price	Range (mm)	Accuracy ( $\mu$ m)	Code	Price	Description	Code	Price
0-1	$\pm 0.00015$	* 816564	52.08	0-25	2	* 816530	49.42	<b>Inch Sets</b>		
1-2	$\pm 0.00015$	* 816566	58.35	25-50	2	* 816532	55.37	0-3 Inch (3 micrometers, plastic case)	* 816588	164.78
2-3	$\pm 0.00020$	* 816568	64.53	50-75	2	* 816534	61.32	0-4 Inch (4 micrometers, plastic case)	* 816590	234.38
3-4	$\pm 0.00020$	* 816570	71.75	75-100	3	* 816536	68.18	0-6 Inch (6 micrometers, plastic case)	* 816592	399.72
4-5	$\pm 0.00025$	* 816572	91.13	100-125	3	816538	89.12	6-12 Inch (6 micrometers, aluminum case)	816594	950.33
5-6	$\pm 0.00025$	* 816574	103.25	125-150	3	816540	100.65	0-12 Inch (12 micrometers, aluminum case)	816596	1354.92
6-7	$\pm 0.00030$	816576	127.65	150-175	4	816542	126.75	<b>Metric Sets</b>		
7-8	$\pm 0.00030$	816578	140.43	175-200	4	816544	140.45	0-75 mm (3 micrometers, plastic case)	* 816554	176.57
8-9	$\pm 0.00030$	816580	151.58	200-225	4	816546	151.57	0-100 mm (4 micrometers, plastic case)	* 816556	218.27
9-10	$\pm 0.00030$	816582	169.75	225-250	5	816548	169.75	0-150 mm (6 micrometers, plastic case)	816558	391.18
10-11	$\pm 0.00035$	816584	187.97	250-275	5	816550	188.02	150-300 mm (6 micrometers, aluminum case)	816560	930.77
11-12	$\pm 0.00035$	816586	199.43	275-300	5	816552	199.43	0-300 mm (12 micrometers, aluminum case)	816562	1359.68



## Depth Micrometer



- Graduation: 0.001"
- Micrometer head accuracy:  $\pm 0.00012$ "
- Rod accuracy:  $\pm [0.001 + 0.0005(L/3)]$   
(L= measuring range in inch)
- 6 rods with flat end
- Ratchet stop
- Supplied in fitted storage case

0-6 Inch  
Code 281939

198.<sup>62</sup>

## Internal Micrometers



- Graduation: 0.001"
- Accuracy:  $[0.0003 + 0.00005(L/2)]$   
L=Max. Measuring Length (Inch)
- Supplied in fitted storage case

2-8 Inch  
Mic Head Travel: 0.5"  
6 Extension Rods  
Code 282039

341.<sup>25</sup>

2-12 Inch  
Mic Head Travel: 0.5"  
10 Extension Rods  
Code 282040

372.<sup>30</sup>

8-20 Inch  
Mic Head Travel: 1"  
3 Extension Rods  
Code 282042

466.<sup>22</sup>

8-40 Inch  
Mic Head Travel: 1"  
8 Extension Rods  
Code 282043

1596.<sup>07</sup>

## Dial Bore Gages

- Indicator graduation: 0.0005"
- Indicator range: 0.25"
- Repeatability: 0.00015"
- Supplied in fitted storage case



816192

OPTIONAL ACCESSORIES: Setting Ring  
Long Handle

0.7-1.5 Inch  
Accuracy:  $\pm 0.00075$ "  
Code 282930

319.<sup>27</sup>

1.4-2.4 Inch  
Accuracy:  $\pm 0.0009$ "  
Code 816188

315.<sup>33</sup>

2-6 Inch  
Accuracy:  $\pm 0.0009$ "  
Code 816192

333.<sup>25</sup>

6-10 Inch  
Accuracy:  $\pm 0.0009$ "  
Code 816184

281.<sup>80</sup>

10-16 Inch  
Accuracy:  $\pm 0.0009$ "  
Code 816186

325.<sup>95</sup>



Each set supplied in plastic moulded storage case

### 2 Bore Gage SET

- 1.4-2 Inch (Indicator/handle not included)
  - 2-6 Inch
- Accuracy:  $\pm 0.0009$ "  
Code 877159

249.<sup>95</sup>

### 3 Bore Gage SET

- 0.7-1.5 Inch
  - 1.4-2.4 Inch (Indicator not included)
  - 2-6 Inch (Indicator not included)
- Accuracy:  $\pm 0.0009$ " (except 2-6" =  $\pm 0.00075$ "")  
Code 877160

512.<sup>77</sup>



# TOOLS THAT MEASURE UP

## Pitch Gages

- For measuring the pitch of screw threads
- Blades individually marked with pitch
- Medium carbon steel
- Supplied in storage pouch



0.4-7mm/4-42TPI  
Code 816695

21.<sup>30</sup>

0.25-7mm  
Code 283551

16.<sup>42</sup>

4-42TPI  
Code 283552

19.<sup>68</sup>

Range	Accuracy	Thread Type	Blade Pitch	Code
0.4-7mm	±0.07mm	Metric 60°	52 blades: 0.4, 0.5, 0.6, 0.7, 0.75, 0.8, 0.9, 1, 1.25, 1.5, 1.75, 2, 2.5, 3, 3.5, 4, 4.5, 5, 5.5, 6, 6.5, 7 mm	816695
4-42TPI	±0.0028"	Unified 60°	4, 4-1/2, 5, 5-1/2, 6, 7, 8, 9, 10, 11, 11-1/2, 12, 13, 14, 15, 16, 18, 20, 22, 24, 26, 27, 28, 30, 32, 34, 36, 38, 40, 42 TPI	816695
0.25-7mm	±0.0028"	Metric 60°	24 blades: 0.25, 0.3, 0.35, 0.4, 0.5, 0.7, 0.75, 0.8, 0.9, 1, 1.25, 1.5, 1.75, 2, 2.5, 3, 3.5, 4, 4.5, 5, 5.5, 6, 6.5, 7 mm	283551
4-42TPI	±0.0028"	Unified 60°	30 blades: 4, 4-1/2, 5, 5-1/2, 6, 7, 8, 9, 10, 11, 11-1/2, 12, 13, 14, 15, 16, 18, 20, 22, 24, 26, 27, 28, 30, 32, 34, 36, 38, 40, 42 TPI	283552

## Drill Angle Gage

- For checking drills with 60°, 70°, 90°, 118°, 125°, 135°, 150°, or 160° angles
- Stainless steel
- Supplied in storage pouch



0-180° Range  
Accuracy: ±0.5°  
Code 816683

17.<sup>85</sup>



## Taper Gage

- Graduation: 0.1mm
- For quick measuring of slot width and various gaps in material and work pieces
- Diameter correction table on back
- Supplied in storage pouch

0.8mm - 15mm  
Accuracy: ±0.1mm  
Code 285112

26.<sup>75</sup>

## Sheet Metal Gage

American Standard

- US standard for gaging sheet metal, plate iron and steel
- Hardened steel with satin chrome finish
- Supplied in storage pouch

#0-36 Range  
(0.3125-0.007")  
Code 283575

37.<sup>50</sup>



## Feeler Gage

Hardened Alloy Steel Blades with 1 Brass

- Hardened alloy steel (except 0.01" blade - brass)
- Blades individually marked with inch/metric measurements
- Supplied in storage pouch



32 Blades  
0.0015-0.035 Inch Range  
Code 283543

14.<sup>03</sup>

## Small Hole Gage Set

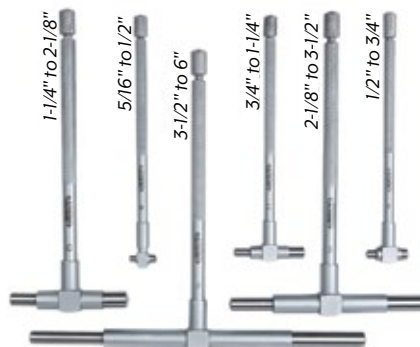


- For small holes, slots, grooves, etc.
- Satin chrome finish
- Supplied in storage pouch

0.125 to 0.5 Inch  
Code 816204

40.<sup>60</sup>

## Telescoping Gage Set



- For quick measurement of inside diameter of holes and width of slots
- Satin chrome finish
- Supplied in storage pouch

6 Gages  
5/16 to 6 Inch  
Code 816202

58.<sup>37</sup>

## Center Gage

- Unified 60°
- To check and set screw cutting tools, and to check the angle and pitch of the screw thread
- Angle accuracy: ±30min.
- Stainless steel



14ths and 20ths on one side,  
24ths and 32nds on opposite side  
Code 283560

11.<sup>12</sup>

## Edge Finders

- Hardened shank and contact point



Shank: Ø3/8"  
Contact Point: Ø0.2"  
Accuracy: ±0.0003"  
Code 816383

77.73

- Shank electronically conducted to the metal workpiece through the chuck and table – LED illuminates and beeper sounds when ball touches the workpiece
- Not suitable for rotary use
- Hardened shank and contact ball
- Battery: 23AE, 12V x 1 pc.



Shank: Ø3/4"  
Contact Ball: Ø0.4"  
Accuracy: ±0.0002"  
Code 816382

185.77

<<< MORE STYLES AVAILABLE >>>  
Contact your local KAR Distributor

## Precision Dial Indicators

### Inch

- ASME B89.1.10M-2001 standards
- Graduation: 0.0005"
- First 2.5 rev. accuracy: ±0.0005"
- Range per rev.: 0.05"
- Dial reading: 0-50
- Lug back
- Bezel locking clamp and limit pointers
- Contact point thread: #4-48UNF
- Supplied in fitted storage case



OPTIONAL ACCESSORIES: Contact points, Flat back

0.5 Inch  
Accuracy: ±0.0005"  
Code 282708

58.32

1 Inch  
Accuracy: ±0.0005"  
Code 282709

60.15

2 Inch  
Accuracy: ±0.0005"  
Code 282710

157.65

## Dial Indicators

### Inch

- ASME B89.1.10M-2001 standards
- Graduation: 0.001"
- First 2.5 rev. accuracy: ±0.001"
- Range per rev.: 0.1"
- Dial reading: 0-100
- Lug back
- Bezel locking clamp and limit pointers
- Contact point thread: #4-48UNF
- Supplied in fitted storage case



816158

OPTIONAL ACCESSORIES: Contact points, Flat back

### Metric

- Hysteresis: 20µm
- Graduation: 0.1mm
- Range per rev.: 10mm
- Dial reading: 0-10
- Lug back
- Bezel locking clamp and limit pointers
- Contact point thread: M2.5 x 0.45
- Supplied in fitted storage case



25mm  
Accuracy: 60µm  
Code 816164

116.13

OPTIONAL ACCESSORIES: Contact points, Flat back

0.5 Inch  
Accuracy: ±0.002"  
Code 816156

51.57

1 Inch  
Accuracy: ±0.002"  
Code 816158

48.68

2 Inch  
Accuracy: ±0.004"  
Code 816160

114.68

### Optional Magnetic Back

For 1 Inch  
Dial Indicator  
816158



Diameter: 2.126"  
Code 877212

31.13

## Dial Test Indicators

- Jeweled bearing
- Carbide contact point
- Two measuring directions
- Anti-magnetic body
- Supplied with two clamps: 5/32" and 3/8" diameters
- Supplied in fitted storage case



Supplied with two clamps

OPTIONAL ACCESSORY:  
Contact point  
(stylus) - series 6284

0.03 Inch  
Graduation: 0.001"  
Accuracy: ±0.001"  
Dial reading: 0-15-0  
Code 282858

106.77

0.03 Inch  
Graduation: 0.0005"  
Accuracy: ±0.0005"  
Dial reading: 0-15-0  
Code 816170

139.62

0.008 Inch  
Graduation: 0.0001"  
Accuracy: ±0.0001"  
Dial reading: 0-40-0  
Code 816172

186.07

0.03 Inch  
Graduation: 0.001"  
Accuracy: ±0.001"  
Dial reading: 0-15-0  
Code 282859

110.32

0.03 Inch  
Graduation: 0.0005"  
Accuracy: ±0.0005"  
Dial reading: 0-15-0  
Code 282860

112.83

0.008 Inch  
Graduation: 0.0001"  
Accuracy: ±0.0001"  
Dial reading: 0-40-0  
Code 282861

186.85

<<< Ask about other Sizes & Accessories for INSIZE Dial Indicators – Contact your local KAR Distributor >>>



# TOOLS THAT MEASURE UP

## Magnetic Stands

### Universal Light Duty

- For electronic/dial indicators and dial test indicators
- With fine adjustment and dovetail groove
- Applicable holding stem  $\varnothing$ : 3/8"

With Fine Adjustment  
Magnetic force: 176lbf/80kgf  
Code 816256

77.93



### With Flex Arm

- For dial test indicators
- Applicable holding stem  $\varnothing$ : 3/8", 8mm, 4mm

Magnetic force: 176lbf/80kgf  
Code 282892

82.33



### With Dual Stems

- For electronic/dial indicators and dial test indicators
- Applicable holding stem  $\varnothing$ : 3/8", 8mm, 4mm



Magnetic force: 132lbf/60kgf  
Code 816250

36.37



With Fine Adjustment  
Magnetic force: 132lbf/60kgf  
Code 816252

33.68



With Fine Adjustment  
Magnetic force: 176lbf/80kgf  
Code 282886

88.13



With Fine Adjustment  
Magnetic force: 220lbf/100kgf  
Code 816254

103.80



### Universal

- For electronic/dial indicators and dial test indicators
- With fine adjustment and dovetail groove
- Applicable holding stem diameter: 3/8"

With Fine Adjustment  
Magnetic force: 176lbf/80kgf  
Code 877028

242.53





# TOOLS THAT MEASURE UP

EXCLUSIVELY AVAILABLE FROM **KAR** IN CANADA 

## Protractors & Levels

### Protractors



- Graduations: 1°
- Accuracy: ±0.3°
- Stainless steel with satin chrome plated scale
- With locking screw
- Supplied in storage case

0-180° Range  
Code 283330

51.32



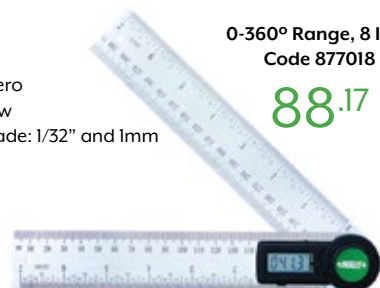
- Graduations: 1°
- Accuracy: ±0.3°
- Stainless steel with satin chrome plated scale
- With locking screw
- Supplied in storage case

0-180° Range  
Code 283328

20.58

### Electronic Protractor

- Resolution: 0.1°
- Accuracy: ±0.3°
- Buttons: on/off, zero
- With locking screw
- Graduation of blade: 1/32" and 1mm
- Stainless steel
- Battery CR2032
- Auto power off



0-360° Range, 8 Inch  
Code 877018

88.17

### Level



Code 877182

27.65

- 10 inch with magnetic base
- ±0.006"/ft accuracy
- Shockproof horizontal and vertical vials
- Working temperature: 5°F-131°F
- Cast aluminum body
- Vials made in Israel - Lifetime warranty

### Electronic Level & Protractor

- Resolution: 0.1° (=0.021 in/ft)
- Accuracy: 0° and 90°: ±0.1°; others: ±0.2°
- Used as level and protractor
- Aluminum frame
- Magnetic bottom
- Display rotates when gage is upside down
- Backlight on automatically when in use - auto off 15 minutes after use
- Sea level permanently set inside chip - zero setting not required when battery replaced
- Buttons: on/off, zero, absolute and incremental measurement
- Battery 1 x AAA
- Auto power off
- Supplied in leather pouch



4 x 90° Range  
Code 816396

108.92

## Rules

### Rigid Rules



- 4R graduation
- 1/64" and 1/32" on front, 1/16" and 1/8" on back
- Non-glare surface

6 Inch  
Accuracy: ±0.003"  
Code 877203

2.42

12 Inch  
Accuracy: ±0.004"  
Code 877201

4.22

24 Inch  
Accuracy: ±0.006"  
Code 877202

8.38

### Semi-Flexible Rules



- Accuracy: ±0.006" (except 24 Inch/600mm: ±0.008")
- Graduations front & back: 1/64", 1/32", 1/16", 0.5mm and 1mm
- Semi-flexible, stainless steel with non-glare surface
- Supplied in storage pouch

6 Inch/150mm  
Code 283596

2.77

8 Inch/200mm  
Code 283597

3.28

12 Inch/300mm  
Code 283598

4.85

20 Inch/500mm  
Code 283599

11.02

<<< UP TO 80 INCH/2000MM AVAILABLE >>>

## Combination Squares



1/8" & 1/16" side 1,  
1/32" & 1/64" side 2  
Code 283344

215.45

1/32" & 0.5mm side 1,  
1/64" & 1mm side 2  
Code 816324

215.82

- Square, level, marking gage, scribe, center gage, protractor and 12" rule
- Center Head: to locate center of round workpieces - Accuracy: ±0.006"
- Protractor Head: to set the blade at desired angle to an edge of a workpiece, and may be used to measure angles - Range: 0-180°; Accuracy: ±7min.
- Square Head: to set the blade at 90° or 45° to an edge of a workpiece - Accuracy: ±8min. for 90° square and ±10min. for 45° square
- Supplied in fitted storage case

OPTIONAL ACCESSORY: Rigid Rule 283006



**KAR Industrial Inc.**  
www.kar.ca

Toronto .....1-800-387-3127  
Montréal .....1-800-363-7862  
Edmonton .....1-866-440-4326

2023 List Prices subject to change without notice  
\*Products shown may not be exactly as illustrated Code 000325

FIND DISTRIBUTOR

MAKING IT EASY TO DO BUSINESS WITH SINCE 1954... CONTACT YOUR LOCAL KAR DISTRIBUTOR TODAY!